

PRODUCT DATA SHEET

SAWTEC

PRODUCT DESCRIPTION

SawTec is a wood screw with special screw tip and saw teeth under the plate head. The screw has a two-stage cylinder head. The special geometry of the screw tip reduces screw-in torque and also avoids splitting effect when screwing in.

ADVANTAGES

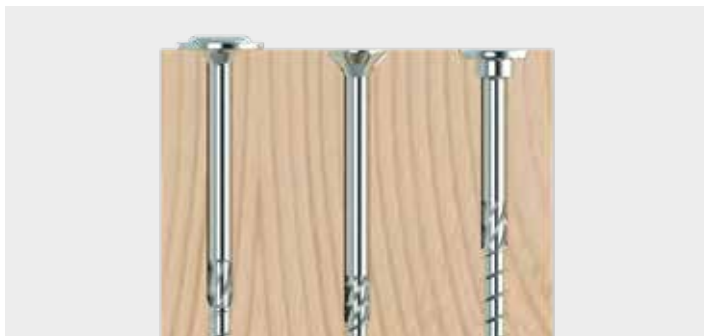
- Quicker and easier screwing in with DAG tip
- DAG tip reduces screw-in torque
- Lower splitting effect
- European Technical Approval (ETA)
- Saw teeth under the head reduce chipping
- TX drive prevents screws from knocking when screwed in
- Suitable for service classes 1 and 2

CERTIFICATION

- European Technical Assessment ETA-11/0024 - Self-tapping screws as wood fasteners



APPLICATION IMAGES



Compared to the plate head screw, the head of the Sawtec is lowered like that of a countersunk screw, due to its saw teeth.



Also suitable for steel / timber connections.

PRODUCT DATA SHEET

SAWTEC

MATERIAL

- Tempered carbon steel, blue zinc-plated

ARTICLE TABLE

SawTec, blue zinc-plated

Art. no.	Dimensions Ød x L [mm]	Thread length lg [mm]	Head diameter Ødh [mm]	BHD* [mm]	BHH** [mm]	Drive	PU
954115	5,0 x 40	24	10,5	5,5	3,3	TX25 •	200
954117	5,0 x 50	30	10,5	5,5	3,3	TX25 •	200
954118	5,0 x 60	36	10,5	5,5	3,3	TX25 •	200
954119	5,0 x 70	42	10,5	5,5	3,3	TX25 •	200
954120	5,0 x 80	48	10,5	5,5	3,3	TX25 •	200
954121	5,0 x 90	54	10,5	5,5	3,3	TX25 •	200
954122	5,0 x 100	60	10,5	5,5	3,3	TX25 •	200
954124	5,0 x 120	60	10,5	5,5	3,3	TX25 •	200

*BHD = Bottom Head Diameter / **BHH = Bottom Head Height

SawTec, blue zinc-plated

Art. no.	Dimensions Ød x L [mm]	Thread length lg [mm]	Head diameter Ødh [mm]	BHD* [mm]	BHH** [mm]	Drive	PU
954128	6,0 x 60	36	13,0	6,5	3,7	TX30 •	100
954129	6,0 x 70	42	13,0	6,5	3,7	TX30 •	100
954130	6,0 x 80	48	13,0	6,5	3,7	TX30 •	100
954131	6,0 x 100	60	13,0	6,5	3,7	TX30 •	100
954133	6,0 x 120	60	13,0	6,5	3,7	TX30 •	100
954135	6,0 x 140	70	13,0	6,5	3,7	TX30 •	100
954137	6,0 x 160	70	13,0	6,5	3,7	TX30 •	100
954138	6,0 x 180	70	13,0	6,5	3,7	TX30 •	100

*BHD = Bottom Head Diameter / **BHH = Bottom Head Height

SawTec, blue zinc-plated

Art. no.	Dimensions Ød x L [mm]	Thread length lg [mm]	Head diameter Ødh [mm]	BHD* [mm]	BHH** [mm]	Drive	PU
954145	8,0 x 80	48	18,0	10,25	4,5	TX40 •	50
954146	8,0 x 100	60	18,0	10,25	4,5	TX40 •	50
954147	8,0 x 120	60	18,0	10,25	4,5	TX40 •	50
954148	8,0 x 140	95	18,0	10,25	4,5	TX40 •	50
954149	8,0 x 160	95	18,0	10,25	4,5	TX40 •	50
954150	8,0 x 180	95	18,0	10,25	4,5	TX40 •	50
954151	8,0 x 200	95	18,0	10,25	4,5	TX40 •	50
954152	8,0 x 220	95	18,0	10,25	4,5	TX40 •	50

*BHD = Bottom Head Diameter / **BHH = Bottom Head Height

PRODUCT DATA SHEET

SAWTEC

ARTICLE TABLE

SawTec, blue zinc-plated

Art. no.	Dimensions Ød x L [mm]	Thread length lg [mm]	Head diameter Ødh [mm]	BHD* [mm]	BHH** [mm]	Drive	PU
954153	8,0 x 240	95	18,0	10,25	4,5	TX40 ●	50
954154	8,0 x 260	95	18,0	10,25	4,5	TX40 ●	50
954155	8,0 x 280	95	18,0	10,25	4,5	TX40 ●	50
954156	8,0 x 300	95	18,0	10,25	4,5	TX40 ●	50
954157	8,0 x 320	95	18,0	10,25	4,5	TX40 ●	50
954158	8,0 x 340	95	18,0	10,25	4,5	TX40 ●	50
954159	8,0 x 360	95	18,0	10,25	4,5	TX40 ●	50
954160	8,0 x 380	95	18,0	10,25	4,5	TX40 ●	50
954161	8,0 x 400	95	18,0	10,25	4,5	TX40 ●	50
954181	8,0 x 420	95	18,0	10,25	4,5	TX40 ●	50
954182	8,0 x 440	95	18,0	10,25	4,5	TX40 ●	50
954183	8,0 x 460	95	18,0	10,25	4,5	TX40 ●	50
954184	8,0 x 480	95	18,0	10,25	4,5	TX40 ●	50
954185	8,0 x 500	95	18,0	10,25	4,5	TX40 ●	50
954186	8,0 x 550	95	18,0	10,25	4,5	TX40 ●	50
954187	8,0 x 600	95	18,0	10,25	4,5	TX40 ●	50

*BHD = Bottom Head Diameter / **BHH = Bottom Head Height

SawTec, blue zinc-plated

Art. no.	Dimensions Ød x L [mm]	Thread length lg [mm]	Head diameter Ødh [mm]	BHD* [mm]	BHH** [mm]	Drive	PU
954162	10,0 x 100	60	22,0	11	5	TX50 ●	50
954163	10,0 x 120	60	22,0	11	5	TX50 ●	50
954164	10,0 x 140	95	22,0	11	5	TX50 ●	50
954165	10,0 x 160	95	22,0	11	5	TX50 ●	50
954166	10,0 x 180	95	22,0	11	5	TX50 ●	50
954167	10,0 x 200	95	22,0	11	5	TX50 ●	50
954168	10,0 x 220	95	22,0	11	5	TX50 ●	50
954169	10,0 x 240	95	22,0	11	5	TX50 ●	50
954170	10,0 x 260	95	22,0	11	5	TX50 ●	50
954171	10,0 x 280	95	22,0	11	5	TX50 ●	50
954172	10,0 x 300	95	22,0	11	5	TX50 ●	50
954173	10,0 x 320	95	22,0	11	5	TX50 ●	50
954174	10,0 x 340	95	22,0	11	5	TX50 ●	50
954175	10,0 x 360	95	22,0	11	5	TX50 ●	25
954176	10,0 x 380	95	22,0	11	5	TX50 ●	25
954177	10,0 x 400	95	22,0	11	5	TX50 ●	25

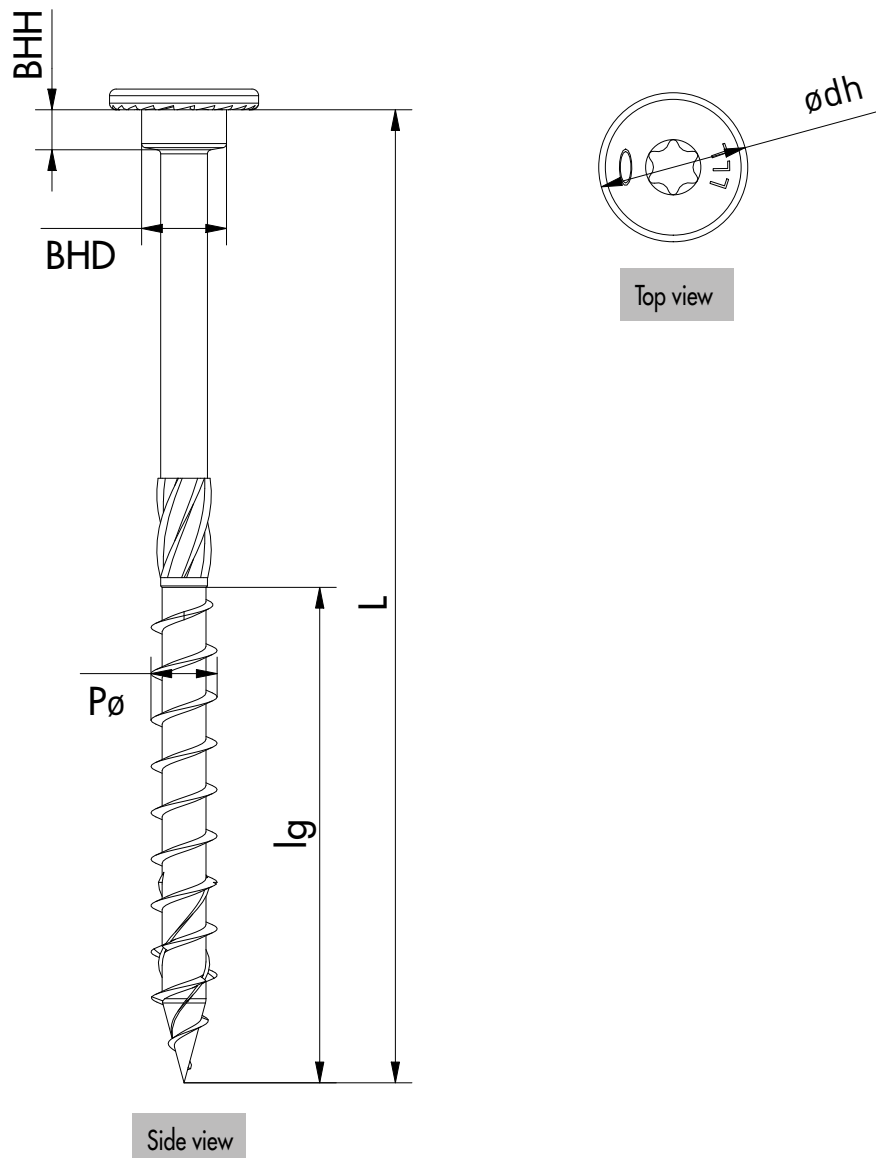
*BHD = Bottom Head Diameter / **BHH = Bottom Head Height

PRODUCT DATA SHEET

SAWTEC

DRAWING

- SawTec, blue zinc-plated



If you are not familiar with how this product is used, and particularly with the product's intended use, please contact our Application Technology department (technik@eurotec.team).