

**Plan View**

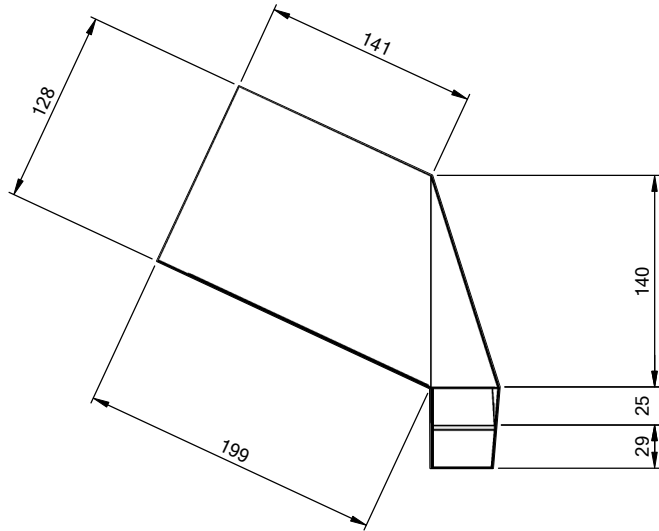
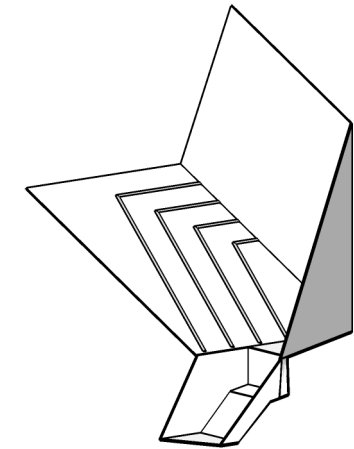
SCALE = 1:5

**PRODUCT DESCRIPTION**

The **Pro-Kickout** flashing is a one piece flashing that diverts water into the guttering at wall and roof junctions.

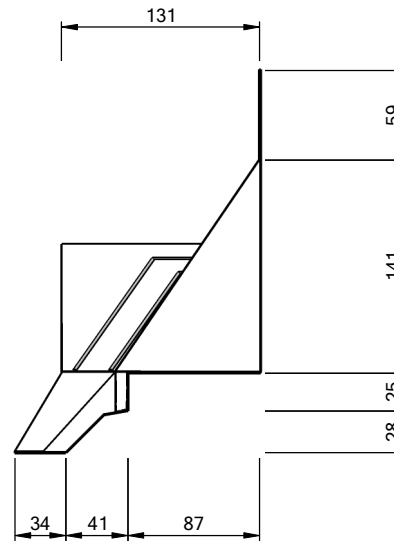
The **Pro-Kickout** flashing creates a downward and outward water flow off the roof and away from the wall, preventing water intrusion at roof to wall intersections. The flashing is manufactured from UV stable PVC and is available for left hand and right hand applications.

The roof pitch range for the **Pro-Kickout** is 10-30°



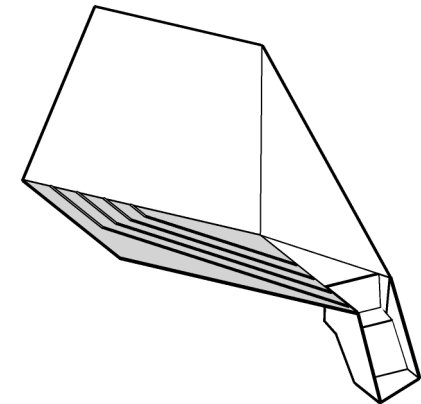
**Front Elevation**

SCALE = 1:5



**Side Elevation**

SCALE = 1:5



**Marshall**  
Innovations  
Construction Solutions

41 Hotuhotu Street  
The Lakes, Tauriko  
Tauranga  
PO Box 9411  
Greerton, Tauranga  
Phone: 07 543 0948  
Fax: (07) 541 1029  
Email: headoffice@mvnz.com  
Free Phone 0800 776 9727

**Pro-Kickout**

System Type:

**Pro-Kickout**

*Pro-Kickout - Component*

Scale: 1:5

Drawing No.

Revision:

Date: Dec 2020

**PK-301**

**A**