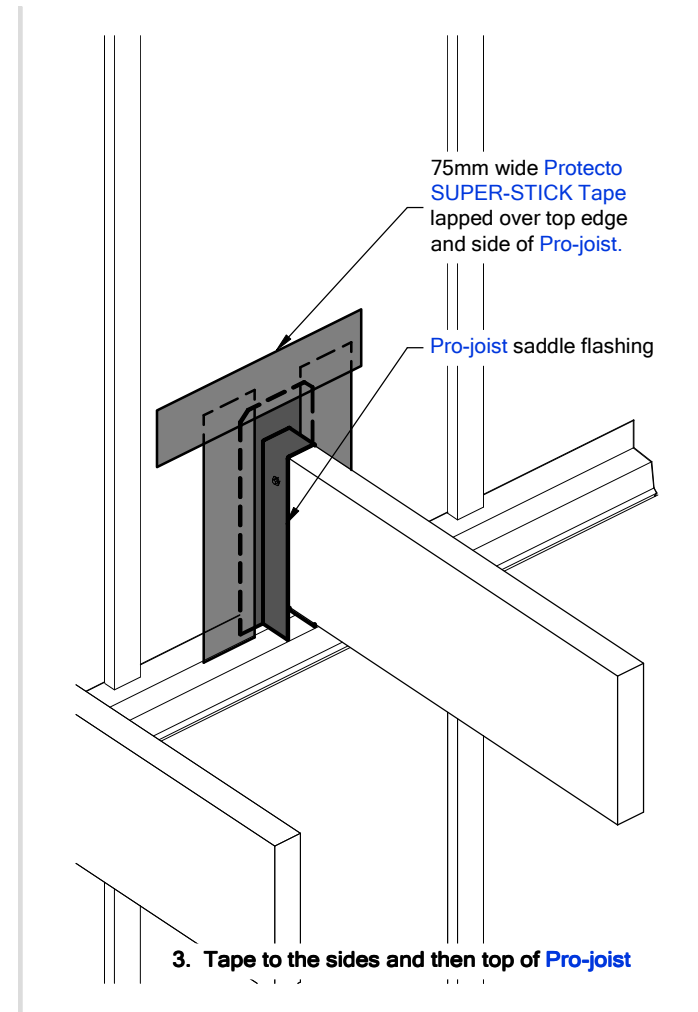
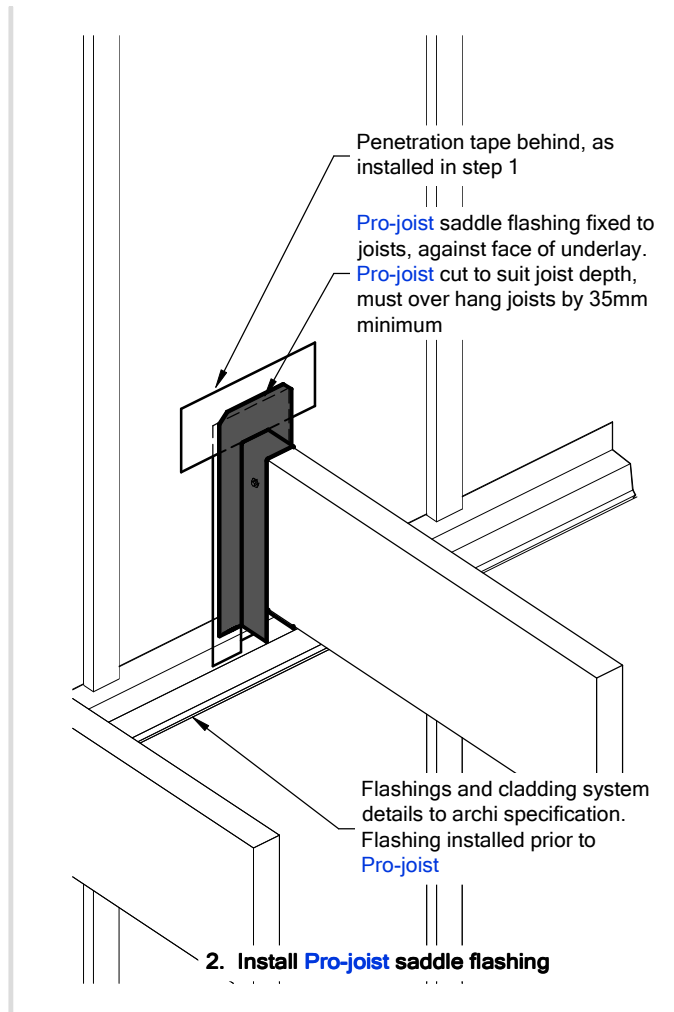
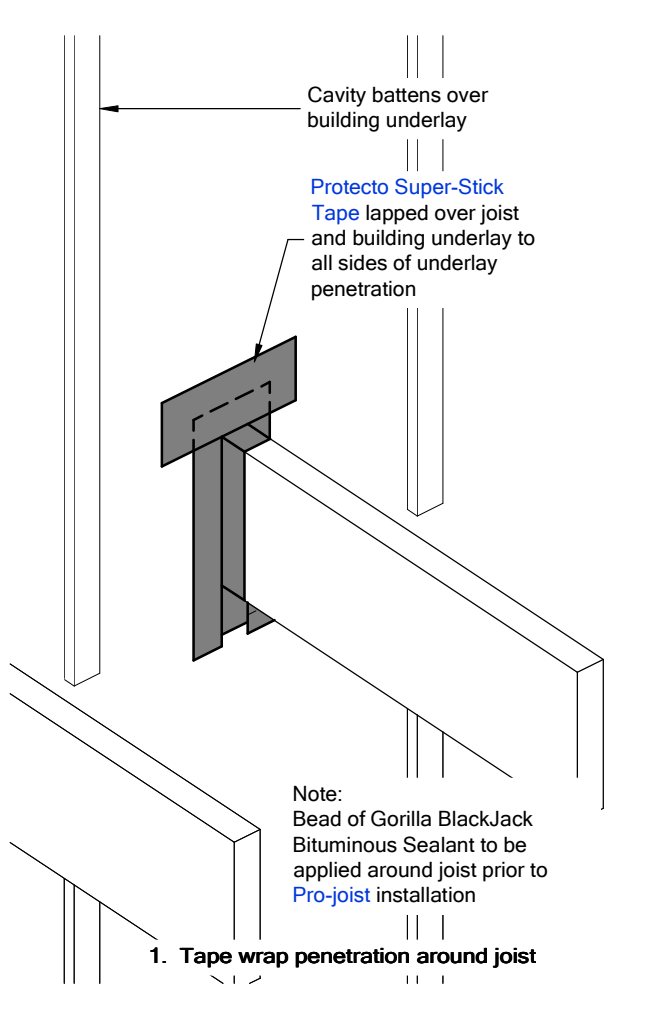


NOTES:

1. Always refer to the Appraisal in full and the technical literature.
2. Pro-Joist available to suit 45mm wide joists and 90mm wide (OR 2 / 45mm) beams up to 250mm deep
3. Pro-Joist height cut to suit joist depth, must over hang joists by 35mm minimum



41 Hotuhotu Street
The Lakes, Tauriko
Tauranga
PO Box 9411
Greerton, Tauranga
Phone: 07 543 0948
Fax: (07) 541 1029
Email: headoffice@mvnz.com
Free Phone 0800 776 9727

Pro-Joist

System Type: Pro-Joist Saddle Flashing System		Revision:	
Pro-Joist Assembly Detail		PJ-201 A	
Scale: 1:10	Drawing No.		
Date: Dec 2020			