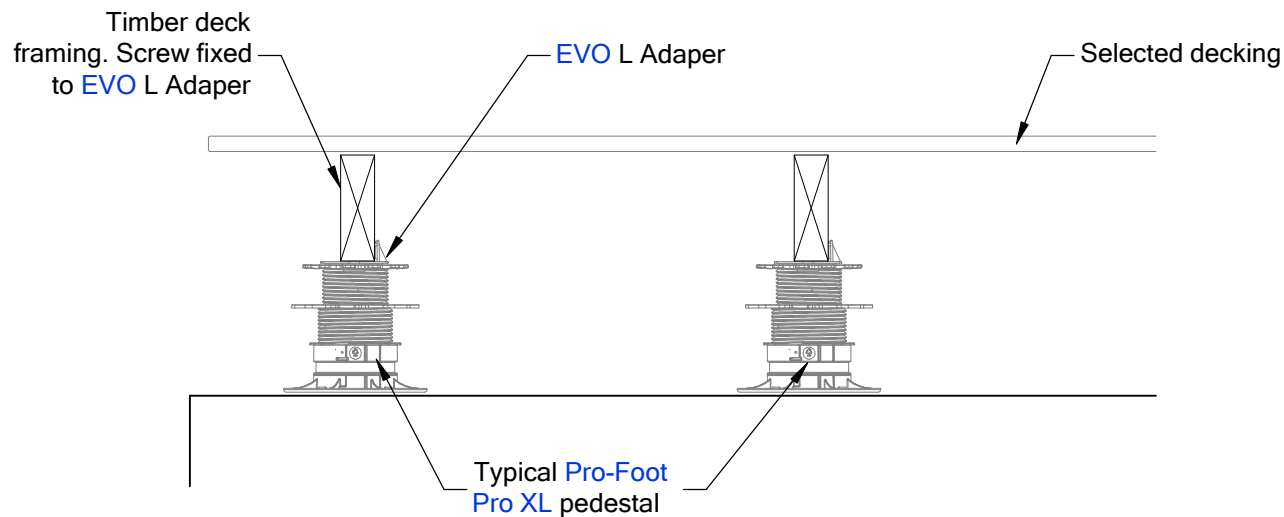
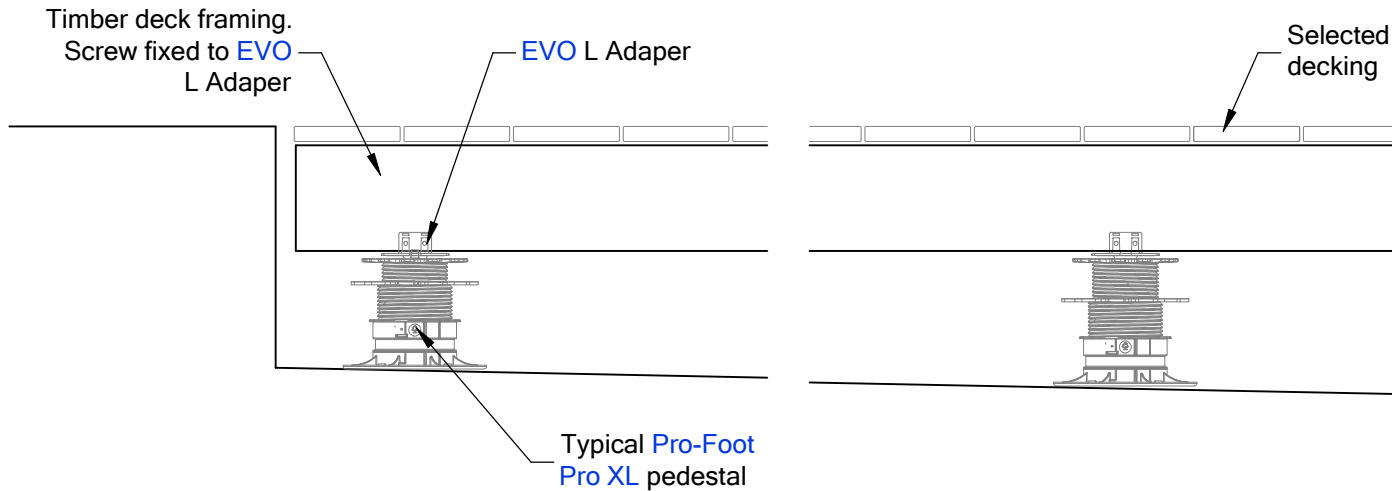


Note:  
Include separator between  
Pro-Foot components and  
deck membranes.



## Typical Pro-Foot pedestal System - Timber Framing, Composite / Hardwood Decking



**Marshall**  
Innovations  
Construction Solutions

41 Hotuhotu Street  
The Lakes, Tauriko  
Tauranga  
PO Box 9411  
Greerton, Tauranga  
Phone: 07 543 0948  
Fax: (07) 541 1029  
Email: headoffice@mvnz.com  
Free Phone 0800 776 9727

Pro-Foot / Evo

System Type:	Pro-Foo/Evo pedestal System <i>Pro-Foot Sample Detail - Sheet 3</i>	
Scale:	1:5	Drawing No.
Date:	Dec 2020	Revision: <b>PF-103 A</b>